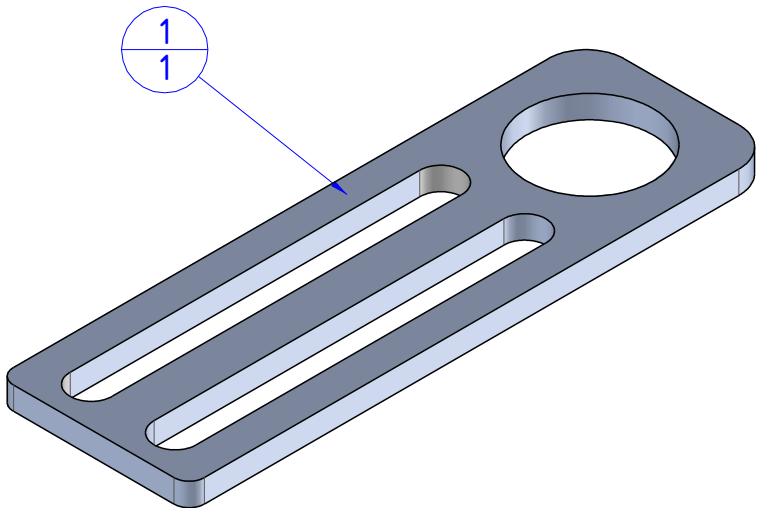
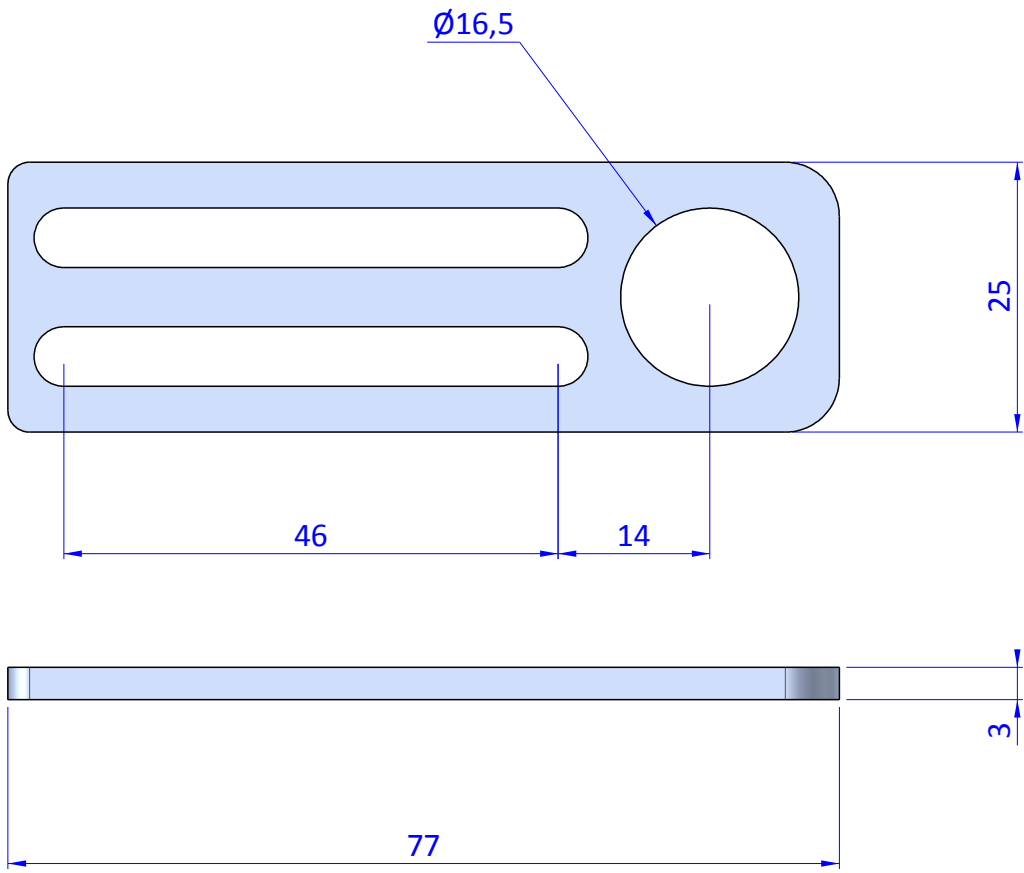


THE PROPERTY OF THE DRAWING IS ESTABLISHED BY LAW. IT IS FORBIDDEN TO PRODUCE OR SHOW IT TO THIRD PART. WITHOUT A WRITTEN AGREEMENT.

Item	Name	Qty.
1	04.20.16	1



Format A4 UNI 936-76	GENERAL TOLERANCE UNI - ISO 2768 CLASSE f	DESCRIPTION CA.04.20.16	DESIGNED FROM FPSERVICES	REVIEW A
			DATE 05/09/2017	WEIGHT 0,027kg
			CODE CA.04.20.16	